

OR-M 520 / 525

TECHNICAL DATA SHEET

Fully automatic strapping machine



TECHNICAL DATA

Heat weld sealing preheating time	30 s		
Electrical supply	Single phase AC 230 V / 50 Hz, 1PNE and 115 V / 60 Hz, 1PNE Tolerance -15%/+20% Mains fuse 10 AT		
Performance	at 225VAC		
	Modus Sleep	Modus Stand-by	Modus Oper. Max.
Watt	26 W	63 W	446 W
Volt Ampere	38 VA	64 VA	451 VA
Reactive Power	27 VAR	9 VAR	94 VAR
Power Factor	PF 0,60	PF 0,88	PF 0,98
COS Phi	0,69	0,99	0,99
Ampere	0,19 A	0,32 A	2,3 A
Room temperature	10 - 40°C		
Relative humidity	10 - 65%		
Cycles per minute up to* (without conveyor)	70/min.		
Working heights	see layout on page 4		
Machine weight	170 kg		
Color	Blue 1M 4762		
without IP protection	without IP protection		
Packages			
Width x height min.	100 x 20 mm		
Width / height max., Arch dimension	./ 50 mm		
Length min.	-- mm		
Weight max.	35 kg		
Plastic Strap (PP)			
Strap width	5 mm 9 mm 12 mm		
Strap thickness	0,40 - 0,60 mm		
Strap coil, Ø inside/outside	200 mm / 430 mm		
Strap tension	5 mm	300 N	
	9 - 12 mm	450 N	

The polypropylene straps used for the respective applications must correspond with the strap specifications recommended by Orgapack!

*Performance: Depends on arch and package dimensions, conveyor speed, package distances and strap tension.

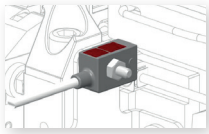
ARCH DIMENSION

Machines	Strap width	Arch dimension Width x Height	Strap tension
OR-M 520 / 525	5 mm	500 x 400 mm	300 N
	5 mm	650 x 500 mm	300 N
	5 mm	850 x 650 mm	300 N
	5 mm	850 x 850 mm	300 N
	9 / 12 mm	650 x 500 mm	450 N
	9 / 12 mm	850 x 650 mm	450 N
	9 / 12 mm	850 x 850 mm	450 N
	9 / 12 mm	850 x 1250 mm	450 N
	9 / 12 mm	1250 x 500 mm	450 N
	9 / 12 mm	1250 x 850 mm	450 N
	9 / 12 mm	1250 x 1550 mm	450 N
	9 / 12 mm	1650 x 500 mm	450 N
	9 / 12 mm	1650 x 850 mm	450 N

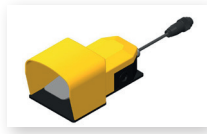
STANDARD EQUIPMENT

- Adjustable working height
- Four castors, two of with brakes
- Closed strap arch system
- Heat seal
- Automatic strap threading device
- Automatic strap end ejection
- Food pedal
- Control panel with digital display
- Strap loop ejection for cycles without product
- Cycle counter
- Electrical supply cable, 5 m
- Dispenser position: Side mounted
- Error message display
- Strap tension key «Soft»

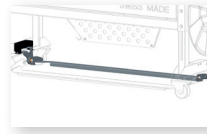
OPTIONS



■ **Table photo eye**
For single, double or multiple strapping, adjustable via parameters



■ **Foot switch**
Foot switch with safety hood



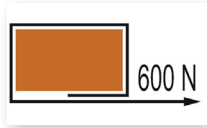
■ **2nd foot pedal**
For simplified two-sided operation of the machine



■ **Manual release**
Freely positionable, for activation of strapping manually



■ **Operator panel**
Freely positionable operator panel (magnetic foot) for optimum operating comfort



■ **High strap tension 600 N**
For strap tension up to 600 N



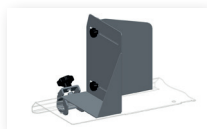
■ **Roller table**
For easy handling of heavy packages



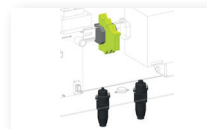
■ **Signal lamp 3 colors**
Visual information of the different machine states



■ **Hold-down device H500**
Pneumatic hold-down device
For holding or compressing packages and loose bundles

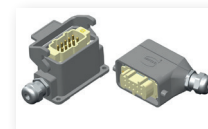


■ **Package stop**
For aligning loose packets
Adjustable from 80 mm - 230 mm to the strap line



■ **Interface (optional)**
For integration into existing production lines

- 4-pin AMP connector (3 pieces)
- All signals potential free
- Ready for operation signal
- General fault signal
- Strapping input signal



■ **Interface plug**
Freely assignable adapter connector (10-pin Harting connector), for connecting the machine interface and the existing installation



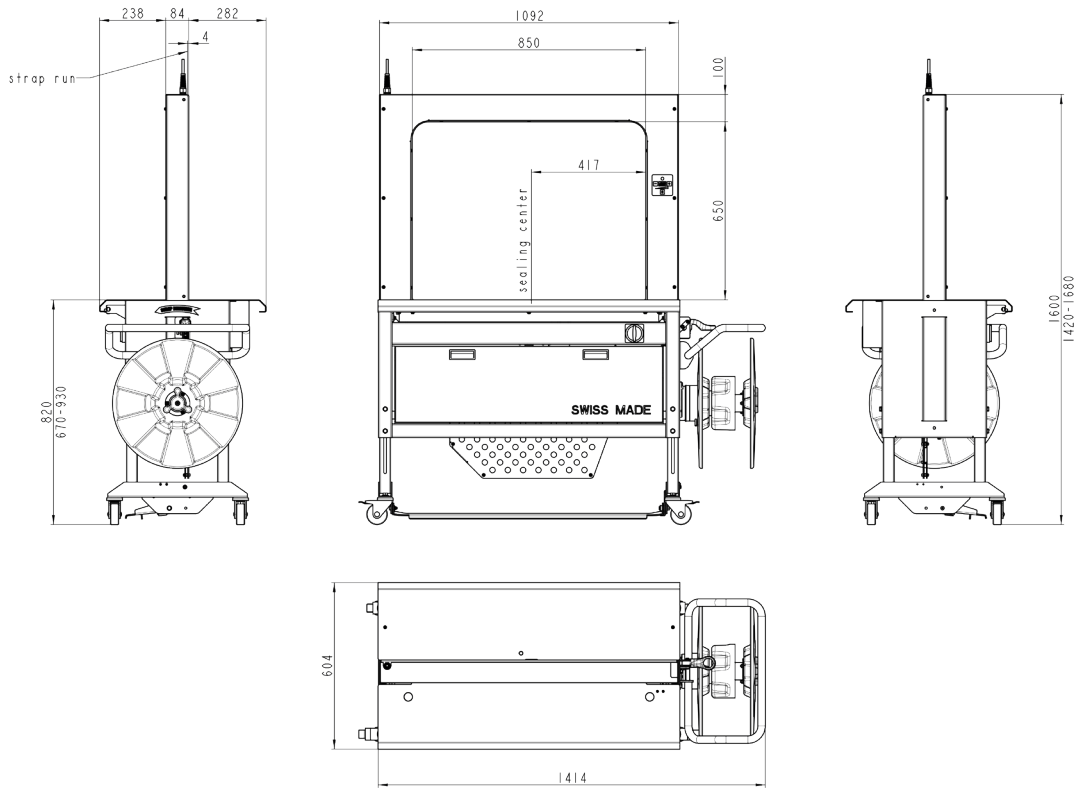
■ **Working height**
For simple two-sided operation of the machine



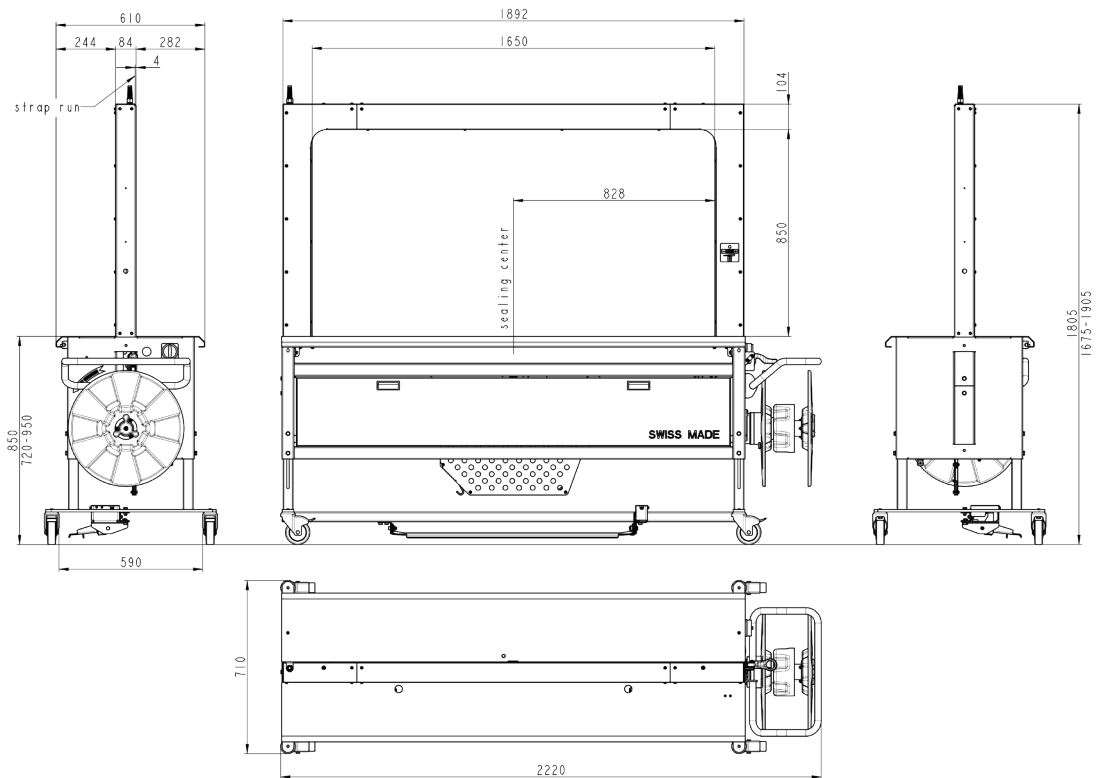
■ **Special colour**
RAL types

LAYOUT

OR-M 520/525 (850 x 650mm)



OR-M 520/525 (1650 x 850mm)



08.2020